



CHALET

42213

Picture a glass of vintage wine in hand as you snuggle up in Chalet's waterfall seat and rest against its comfortable angle padded arms. Adjust the headrest, recline and lumbar to meet your body's need and fully decompress. Available in two widths, the Chalet (19" seat width) and Chalet II (21" seat width), to fit your body like a glove, nothing's more cozy than an evening spent in the Chalet.



CHALET

42213

Note: Icon images are for illustrative purposes only and may not be an exact representation of the product. Please refer to the product photography for the most accurate representation.

Inside Arm (IA): Refers to the distance between the arms.

STANDALONE PIECES



31 CHAIR POWER WALLHUGGER RECLINE

32 x 41 x 41"
80 x 103 x 103 cm
IA: 19" / 47 cm



38 SWIVEL GLIDER POWER RECLINER

32 x 41 x 41"
80 x 103 x 103 cm
IA: 19" / 47 cm



B1 WALLHUGGER PWR RCLNR W/ PWR HR

32 x 41 x 41"
80 x 103 x 103 cm
IA: 19" / 47 cm



B3 SWIVL GLDR PWR RCLNR W/ PWR HR

32 x 41 x 41"
80 x 103 x 103 cm
IA: 19" / 47 cm



C1 WLLHGGR PWR RCLN W PWR HR & LU

32 x 41 x 41"
80 x 103 x 103 cm
IA: 19" / 47 cm



C3 SWVL GLDR PWR RCLN W PWR HR LM

32 x 41 x 41"
80 x 103 x 103 cm
IA: 19" / 47 cm

*Select pieces from this collection are available in pattern-matched accent covers. Pattern matching ensures the pattern is consistent throughout the piece and matches at seams, and over arms and backs, creating a continuous pattern. Dimensions shown as Width x Depth x Height. Dimensions are correct at the time of printing and are subject to change without notice. Actual measurements for each item may vary. Please allow up to a +/- 1 inch or 3 centimeter difference.



CHALET

42213



FRAME

- All Palliser frames are constructed from engineered wood products, hardwood or softwood; joints are pinned and glued for uniformity and strength.



CHOOSE YOUR LEG OPTION

- This item comes standard with the leg pictured



CHOOSE YOUR COVER

- Fabrics, excluding Accent Fabrics
- Leather
- Leather Alternative
- Leather Match



SEATING

- Tight seat cushions are engineered using high-resiliency foam.
- Tight back cushions feature multiple densities of contour-cut foam with a layer of memory foam for lavish comfort
- Seat Suspension: 100% premium elastic webbing, engineered to provide consistent comfort and endurance.
- Back Suspension: 100% premium elastic webbing to provide consistent comfort and support.

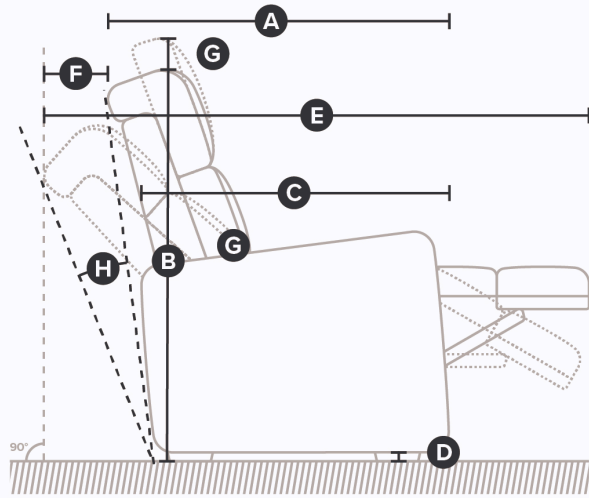


CHALET

42213



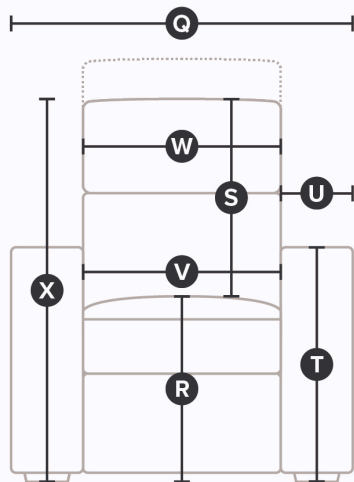
DIMENSIONS



Side

All measurements in inches (in).

| SKU | Description | A. Depth | B. Height | C. Arm Depth | C.. Seat Depth | D. Ground Clearance | E. Full Recline Depth | F. Wall Clearance |
|----------|--------------------------------|-------------|--------------|-----------------|-------------------|------------------------|--------------------------|----------------------|
| 42213-31 | CHAIR POWER WALLHUGGER RECLINE | 40.2 | 40.5 | 31.0 | 23.5 | 1.3 | 65.5 | 4.2 |
| 42213-38 | SWIVEL GLIDER POWER RECLINER | 40.2 | 40.5 | 31.0 | 23.5 | 1.3 | 65.5 | 4.2 |
| 42213-B1 | WALLHUGGER PWR RCLNR W/ PWR HR | 40.2 | 40.5 | 31.0 | 23.5 | 1.3 | 65.5 | 4.2 |
| 42213-B3 | SWIVL GLDR PWR RCLNR W/ PWR HR | 40.2 | 40.5 | 31.0 | 23.5 | 1.3 | 65.5 | 4.2 |
| 42213-C1 | WLLHGGR PWR RCLN W PWR HR & LU | 40.2 | 40.5 | 31.0 | 23.5 | 1.3 | 65.5 | 4.2 |
| 42213-C3 | SWVL GLDR PWR RCLN W PWR HR LM | 40.2 | 40.5 | 31.0 | 23.5 | 1.3 | 65.5 | 4.2 |



Front

All measurements in inches (in).

| SKU | Description | Q. Width | R. Seat Height From Floor | S. Height Of Back From Seat | T. Arm Height From Floor | V. Width Between Arms |
|----------|--------------------------------|-------------|------------------------------|--------------------------------|-----------------------------|--------------------------|
| 42213-31 | CHAIR POWER WALLHUGGER RECLINE | 31.2 | 20.0 | 9.3 | 26.0 | 18.5 |
| 42213-38 | SWIVEL GLIDER POWER RECLINER | 31.2 | 20.0 | 9.3 | 26.0 | 18.5 |
| 42213-B1 | WALLHUGGER PWR RCLNR W/ PWR HR | 31.2 | 20.0 | 9.3 | 26.0 | 18.5 |
| 42213-B3 | SWIVL GLDR PWR RCLNR W/ PWR HR | 31.2 | 20.0 | 9.3 | 26.0 | 18.5 |
| 42213-C1 | WLLHGGR PWR RCLN W PWR HR & LU | 31.2 | 20.0 | 9.3 | 26.0 | 18.5 |
| 42213-C3 | SWVL GLDR PWR RCLN W PWR HR LM | 31.2 | 20.0 | 9.3 | 26.0 | 18.5 |

*Select pieces from this collection are available in pattern-matched accent covers. Pattern matching ensures the pattern is consistent throughout the piece and matches at seams, and over arms and backs, creating a continuous pattern. Dimensions shown as Width x Depth x Height. Dimensions are correct at the time of printing and are subject to change without notice. Actual measurements for each item may vary. Please allow up to a +/- 1 inch or 3 centimeter difference.