



## CHALET II

42223

Picture a glass of vintage wine in hand as you snuggle up in Chalet's waterfall seat and rest against its comfortable angle padded arms. Adjust the headrest, recline and lumbar to meet your body's need and fully decompress. Available in two widths, the Chalet (19" seat width) and Chalet II (21" seat width), to fit your body like a glove, nothing's more cozy than an evening spent in the Chalet II.



# CHALET II

42223

**Note:** Icon images are for illustrative purposes only and may not be an exact representation of the product. Please refer to the product photography for the most accurate representation.

**Inside Arm (IA):** Refers to the distance between the arms.

## STANDALONE PIECES



**31 CHAIR POWER WALLHUGGER RECLINE**

33 x 40 x 40"  
84 x 102 x 101 cm  
IA: 20" / 51 cm



**38 SWIVEL GLIDER POWER RECLINER**

33 x 40 x 40"  
84 x 102 x 101 cm  
IA: 20" / 51 cm



**B1 WALLHUGGER PWR RCLNR W/ PWR HR**

33 x 40 x 40"  
84 x 102 x 101 cm  
IA: 20" / 51 cm



**B3 SWIVL GLDR PWR RCLNR W/ PWR HR**

33 x 40 x 40"  
84 x 102 x 101 cm  
IA: 20" / 51 cm



**C1 WLLHGGR PWR RCLN W PWR HR & LU**

33 x 40 x 40"  
84 x 102 x 101 cm  
IA: 20" / 51 cm



**C3 SWVL GLDR PWR RCLN W PWR HR LM**

33 x 40 x 40"  
84 x 102 x 101 cm  
IA: 20" / 51 cm

\*Select pieces from this collection are available in pattern-matched accent covers. Pattern matching ensures the pattern is consistent throughout the piece and matches at seams, and over arms and backs, creating a continuous pattern. Dimensions shown as Width x Depth x Height. Dimensions are correct at the time of printing and are subject to change without notice. Actual measurements for each item may vary. Please allow up to a +/- 1 inch or 3 centimeter difference.



# CHALET II

42223



## FRAME

- All Palliser frames are constructed from engineered wood products, hardwood or softwood; joints are pinned and glued for uniformity and strength.



## CHOOSE YOUR LEG OPTION

- This item comes standard with the leg pictured



## CHOOSE YOUR COVER

- Fabrics, excluding Accent Fabrics
- Leather
- Leather Alternative
- Leather Match



## SEATING

- Tight seat cushions are engineered using high-resiliency foam.
- Tight back cushions feature multiple densities of contour-cut foam
- Seat Suspension: 100% premium elastic webbing, engineered to provide consistent comfort and endurance.
- Back Suspension: 100% premium elastic webbing to provide consistent comfort and support.

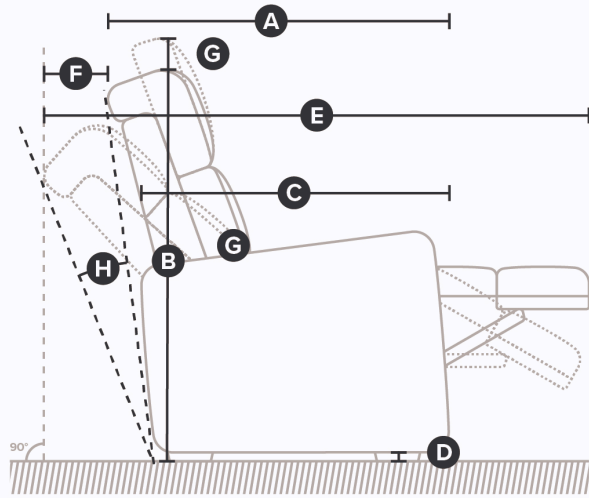


# CHALET II

42223



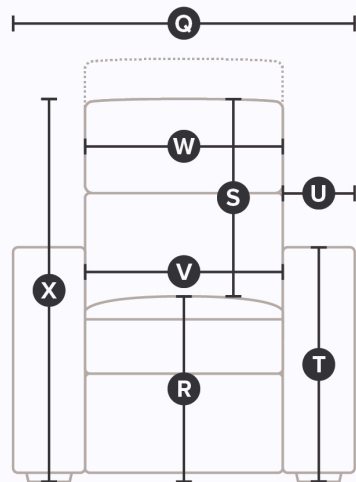
## DIMENSIONS



### Side

All measurements in inches (in).

SKU	Description	A. Depth	B. Height	C. Arm Depth	C.. Seat Depth	D. Ground Clearance	E. Full Recline Depth	F. Wall Clearance
42223-31	CHAIR POWER WALLHUGGER RECLINE	40.0	39.5	32.3	23.5	1.0	64.5	10.7
42223-38	SWIVEL GLIDER POWER RECLINER	40.0	39.5	32.3	23.5	1.0	64.5	10.7
42223-B1	WALLHUGGER PWR RCLNR W/ PWR HR	40.0	39.5	32.3	23.5	1.0	64.5	10.7
42223-B3	SWIVL GLDR PWR RCLNR W/ PWR HR	40.0	39.5	32.3	23.5	1.0	64.5	10.7
42223-C1	WLLHGGR PWR RCLN W PWR HR & LU	40.0	39.5	32.3	23.5	1.0	64.5	10.7
42223-C3	SWVL GLDR PWR RCLN W PWR HR LM	40.0	39.5	32.3	23.5	1.0	64.5	10.7



### Front

All measurements in inches (in).

SKU	Description	Q. Width	R. Seat Height From Floor	S. Height Of Back From Seat	T. Arm Height From Floor	V. Width Between Arms
42223-31	CHAIR POWER WALLHUGGER RECLINE	33.0	20.5	8.9	26.5	19.7
42223-38	SWIVEL GLIDER POWER RECLINER	33.0	20.5	8.9	26.5	19.7
42223-B1	WALLHUGGER PWR RCLNR W/ PWR HR	33.0	20.5	8.9	26.5	19.7
42223-B3	SWIVL GLDR PWR RCLNR W/ PWR HR	33.0	20.5	8.9	26.5	19.7
42223-C1	WLLHGGR PWR RCLN W PWR HR & LU	33.0	20.5	8.9	26.5	19.7
42223-C3	SWVL GLDR PWR RCLN W PWR HR LM	33.0	20.5	8.9	26.5	19.7

\*Select pieces from this collection are available in pattern-matched accent covers. Pattern matching ensures the pattern is consistent throughout the piece and matches at seams, and over arms and backs, creating a continuous pattern. Dimensions shown as Width x Depth x Height. Dimensions are correct at the time of printing and are subject to change without notice. Actual measurements for each item may vary. Please allow up to a +/- 1 inch or 3 centimeter difference.