



GRAHAM

77110

Graham is an oversized tub chair that creates the perfect oasis for relaxation. Whether you select a stationary chair or opt for the 360° swivel chair, Graham provides a spacious nest for one or even two people to snuggle in. The sculptural curves of this extra-large barrel back chair look great from any angle and will sit nicely as the focal point of the room or tucked into the corner to create a reading nook.



GRAHAM

77110

Note: Icon images are for illustrative purposes only and may not be an exact representation of the product. Please refer to the product photography for the most accurate representation.

Inside Arm (IA): Refers to the distance between the arms.

STANDALONE PIECES



02 Chair

57 x 49 x 34"
145 x 124 x 87 cm
IA: 37" / 94 cm



33 Swivel Chair

57 x 49 x 34"
145 x 124 x 87 cm
IA: 37" / 94 cm



GRAHAM

77110



FRAME

- All Palliser frames are constructed from engineered wood products, hardwood or softwood; joints are pinned and glued for uniformity and strength.



CHOOSE YOUR LEG OPTION

- This item comes standard with the leg pictured



CHOOSE YOUR COVER

- Accent Fabrics, excluding Pattern Match
- Fabric
- Leather
- Leather Alternative
- Select pieces avail in Accent Fabrics



SEATING

- Tight seat and tight back design create a clean and refined contemporary look. Cushions are an integrated, indistinguishable part of the frame or seat back.

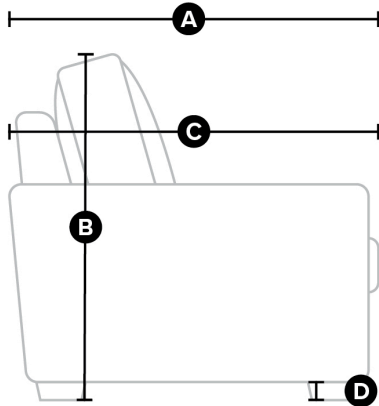


GRAHAM

77110



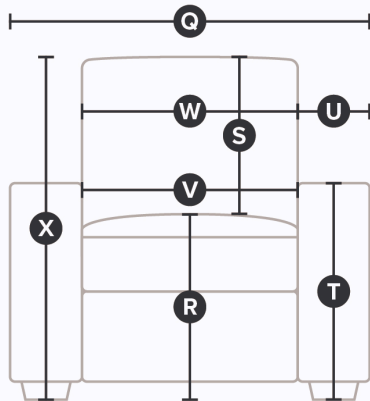
DIMENSIONS



Side

All measurements in inches (in).

SKU	Description	A. Depth	B. Height	C. Seat Depth	D. Ground Clearance
77110-02	Chair	48.5	34.0	32.5	1.0
77110-33	Swivel Chair	48.5	34.0	32.5	1.0



Front

All measurements in inches (in).

SKU	Description	Q. Width	R. Seat Height From Floor	S. Height Of Back From Seat	T. Arm Height From Floor	V. Width Between Arms
77110-02	Chair	57.0	17.0	19.0	24.0	37.0
77110-33	Swivel Chair	57.0	17.0	19.0	24.0	37.0

*Select pieces from this collection are available in pattern-matched accent covers. Pattern matching ensures the pattern is consistent throughout the piece and matches at seams, and over arms and backs, creating a continuous pattern. Dimensions shown as Width x Depth x Height. Dimensions are correct at the time of printing and are subject to change without notice. Actual measurements for each item may vary. Please allow up to a +/- 1 inch or 3 centimeter difference.