



HIGHLAND

42214

Great for contemporary living spaces and sophisticated taste, the sculptural design of Highland is sure to make an unforgettable first impression. While deep stitching and thin track arms draw attention to a modern silhouette, comfort is at the forefront of this sleek design. This signature piece features a soft pad on its headrest for extra comfort and up to 3 power reclining options for a personalized lounging experience. Available in two seat widths, the Highland (19" seat width) and Highland II (21" seat width) combine multiple densities of foam in the seat and back, to ensure an ergonomic seating experience.

PALLISER



HIGHLAND

42214

Note: Icon images are for illustrative purposes only and may not be an exact representation of the product. Please refer to the product photography for the most accurate representation.

Inside Arm (IA): Refers to the distance between the arms.

STANDALONE PIECES



31 CHAIR POWER WALLHUGGER RECLINE

30 x 40 x 43"
77 x 101 x 108 cm
IA: 20" / 51 cm



38 SWIVEL GLIDER POWER RECLINER

30 x 40 x 43"
77 x 101 x 108 cm
IA: 20" / 51 cm



B1 WALLHUGGER PWR RCLNR W/ PWR HR

30 x 40 x 43"
77 x 101 x 108 cm
IA: 20" / 51 cm



B3 SWIVL GLDR PWR RCLNR W/ PWR HR

30 x 40 x 43"
77 x 101 x 108 cm
IA: 20" / 51 cm



C1 WLLHGGR PWR RCLN W PWR HR & LU

30 x 40 x 43"
77 x 101 x 108 cm
IA: 20" / 51 cm



C3 SWVL GLDR PWR RCLN W PWR HR LM

30 x 40 x 43"
77 x 101 x 108 cm
IA: 20" / 51 cm

*Select pieces from this collection are available in pattern-matched accent covers. Pattern matching ensures the pattern is consistent throughout the piece and matches at seams, and over arms and backs, creating a continuous pattern. Dimensions shown as Width x Depth x Height. Dimensions are correct at the time of printing and are subject to change without notice. Actual measurements for each item may vary. Please allow up to a +/- 1 inch or 3 centimeter difference.



HIGHLAND

42214



FRAME

- All Palliser frames are constructed from engineered wood products, hardwood or softwood; joints are pinned and glued for uniformity and strength.



CHOOSE YOUR LEG OPTION

- This item comes standard with the leg pictured



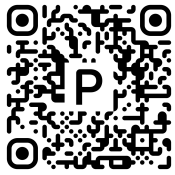
CHOOSE YOUR COVER

- Fabrics, excluding Accent Fabrics
- Leather
- Leather Alternative
- Leather Match



SEATING

- Tight seat cushions are engineered using high-resiliency foam.
- Tight back cushions feature multiple densities of contour-cut foam
- Seat Suspension: 100% premium elastic webbing, engineered to provide consistent comfort and endurance.
- Back Suspension: 100% premium elastic webbing to provide consistent comfort and support.

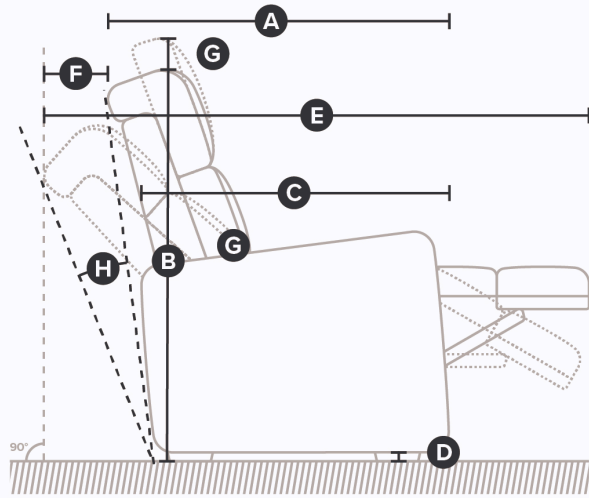


HIGHLAND

42214



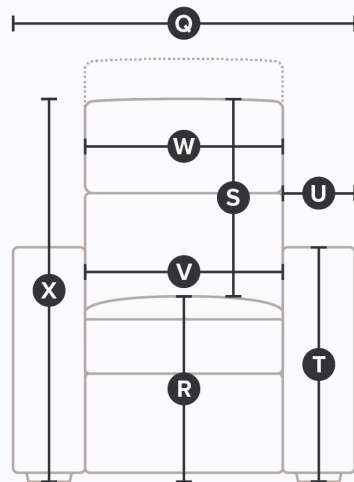
DIMENSIONS



Side

All measurements in inches (in).

SKU	Description	A. Depth	B. Height	C. Arm Depth	C.. Seat Depth	D. Ground Clearance	E. Full Recline Depth	F. Wall Clearance
42214-31	CHAIR POWER WALLHUGGER RECLINE	39.5	42.5	33.5	21.5	0.8	65.7	4.5
42214-38	SWIVEL GLIDER POWER RECLINER	39.5	42.5	33.5	21.5	1.5	65.7	10.7
42214-B1	WALLHUGGER PWR RCLNR W/ PWR HR	39.5	42.5	33.5	21.5	0.8	65.7	4.5
42214-B3	SWIVL GLDR PWR RCLNR W/ PWR HR	39.5	42.5	33.5	21.5	1.3	65.7	10.7
42214-C1	WLLHGGR PWR RCLN W PWR HR & LU	39.5	42.5	33.5	21.5	0.8	65.7	4.5
42214-C3	SWVL GLDR PWR RCLN W PWR HR LM	39.5	42.5	33.5	21.5	1.3	65.7	10.7



Front

All measurements in inches (in).

SKU	Description	Q. Width	R. Seat Height From Floor	S. Height Of Back From Seat	T. Arm Height From Floor	V. Width Between Arms
42214-31	CHAIR POWER WALLHUGGER RECLINE	30.0	19.7	9.8	24.5	20.0
42214-38	SWIVEL GLIDER POWER RECLINER	30.0	19.7	9.8	24.5	20.0
42214-B1	WALLHUGGER PWR RCLNR W/ PWR HR	30.0	19.7	9.8	24.5	20.0
42214-B3	SWIVL GLDR PWR RCLNR W/ PWR HR	30.0	19.7	9.8	24.5	20.0
42214-C1	WLLHGGR PWR RCLN W PWR HR & LU	30.0	19.7	9.8	24.5	20.0
42214-C3	SWVL GLDR PWR RCLN W PWR HR LM	30.0	19.7	9.8	24.5	20.0

*Select pieces from this collection are available in pattern-matched accent covers. Pattern matching ensures the pattern is consistent throughout the piece and matches at seams, and over arms and backs, creating a continuous pattern. Dimensions shown as Width x Depth x Height. Dimensions are correct at the time of printing and are subject to change without notice. Actual measurements for each item may vary. Please allow up to a +/- 1 inch or 3 centimeter difference.