



KENDALL

77073

An airy and feminine occasional chair with subtle curves and a cozy barrel back. Tapered high legs in a cognac finish create a graceful appearance. As a standalone piece or in a pair, the Kendall makes it easy to accessorize any space with style and extra seating. Dress it up in your choice of over 250 covers.



KENDALL

77073

STANDALONE PIECES



02 Chair

27 x 29 x 30"
69 x 74 x 77 cm
IA: 19" / 49 cm

Note: Icon images are for illustrative purposes only and may not be an exact representation of the product. Please refer to the product photography for the most accurate representation.

Inside Arm (IA): Refers to the distance between the arms.



KENDALL

77073



FRAME

- All Palliser frames are constructed from engineered wood products, hardwood or softwood; joints are pinned and glued for uniformity and strength.



CHOOSE YOUR LEG OPTION

- Black Ash
- Cognac
- Walnut Finish Leg



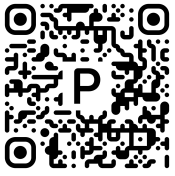
CHOOSE YOUR COVER

- Fabric
- Leather
- Leather Alternative
- Leather Match



SEATING

- Attached seat cushions feature a high-resiliency, high density foam core with a polyester wrap
- Loose back cushions with fibre filling
- Back Suspension: Sinuous springs to provide premium comfort and support.
- Seat Suspension: Heavy gauge sinuous springs, engineered to provide premium comfort and endurance.

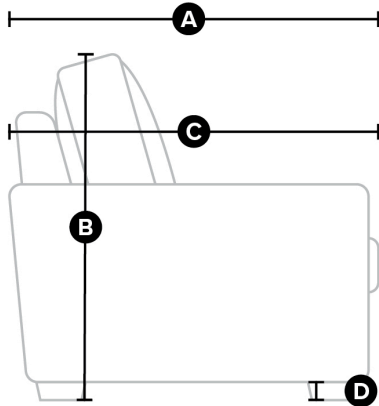


KENDALL

77073



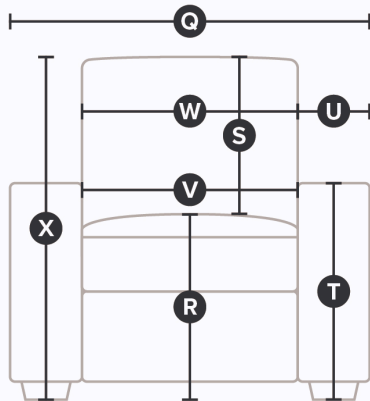
DIMENSIONS



Side

All measurements in inches (in).

SKU	Description	A. Depth	B. Height	C. Arm Depth	C. Seat Depth	D. Ground Clearance
77073-02	Chair	29.0	30.0	25.5	20.0	8.8



Front

All measurements in inches (in).

SKU	Description	Q. Width	R. Seat Height From Floor	S. Height Of Back From Seat	T. Arm Height From Floor	U. Arm Width	V. Width Between Arms
77073-02	Chair	27.0	19.0	12.0	27.0	6.4	19.0

*Select pieces from this collection are available in pattern-matched accent covers. Pattern matching ensures the pattern is consistent throughout the piece and matches at seams, and over arms and backs, creating a continuous pattern. Dimensions shown as Width x Depth x Height. Dimensions are correct at the time of printing and are subject to change without notice. Actual measurements for each item may vary. Please allow up to a +/- 1 inch or 3 centimeter difference.